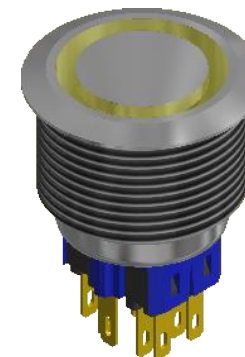
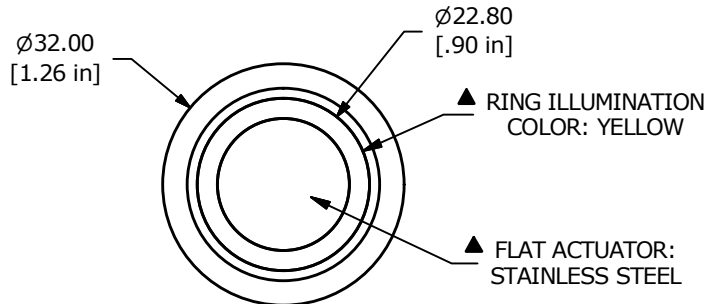
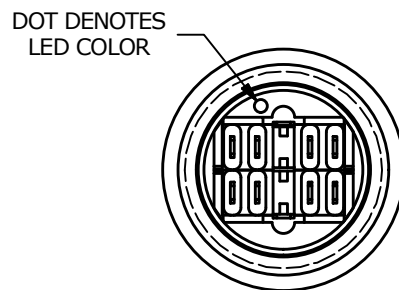
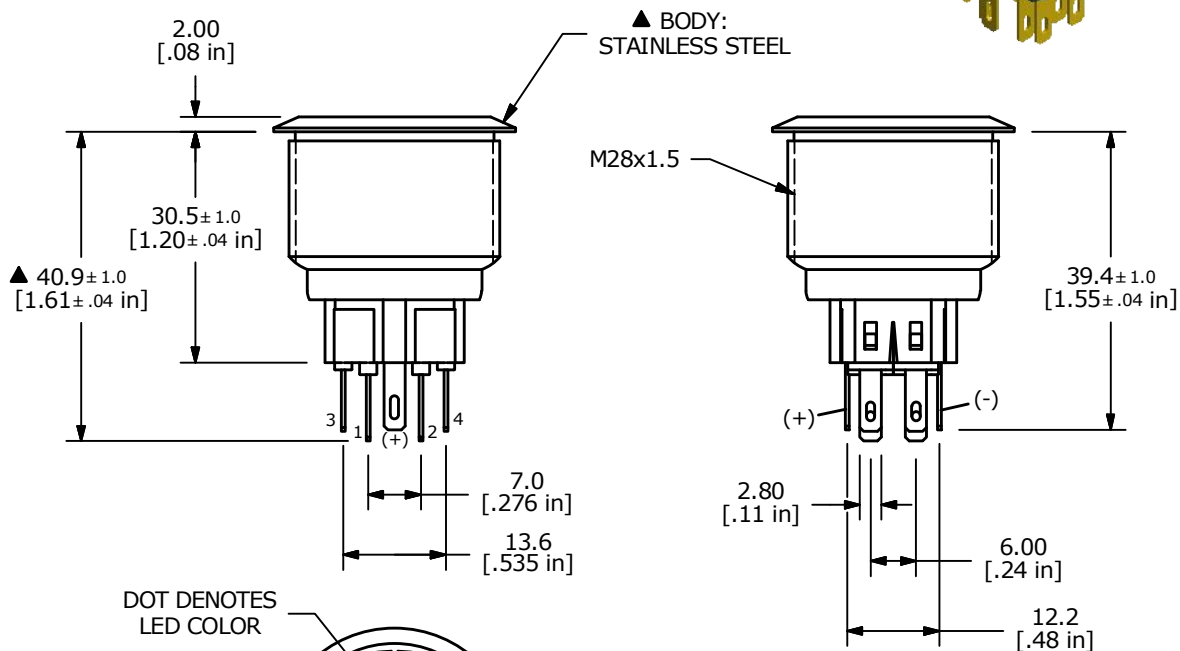
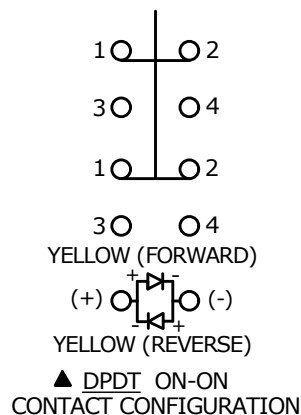


RECOMMENDED PANEL CUTOUT
MAX. PANEL THICKNESS 10mm



▲ SWITCH FUNCTION

POS. 1	POS. 2
1-2	3-4



- NOTE:
- ALL DIMENSIONS IN MM [INCH]
 - GENERAL TOLERANCE: X.X = ± 0.4
X.XX = ± 0.25
 - TERMINAL NOS. FOR REF. ONLY
 - RATING: 2A @ 48VDC
 - CONTACT RESISTANCE: 50mΩ MAX. @ 1A 12VDC
 - INSULATION RESISTANCE: 1,000MΩ @ 500VDC
 - DIELECTRIC STRENGTH: 2,000VAC MIN. FOR 1 MINUTE
 - ELECTRICAL LIFE: 50,000 CYCLES
 - OPERATING TEMPERATURE: -20°C TO 55°C
 - INGRESS PROTECTION: IP66
 - SUPPLIED HARDWARE: O-RING AND HEXNUT
 - ▲ DENOTES CRITICAL PARAMETER
 - ILLUMINATION VOLTAGE: 1.8V



B	23838	UPDATED RATING TO IP66	4/8/19	MJR
A	22480	NEW RELEASE	9/2/16	MJR
REV	PCR NO	DESCRIPTION	DATE	BY

TITLE PV9F2U0SS-351				
SCALE 1:1	DATE 9/2/2016	DR MJR	DWG 52-PV9F2U0SS351	REV B